

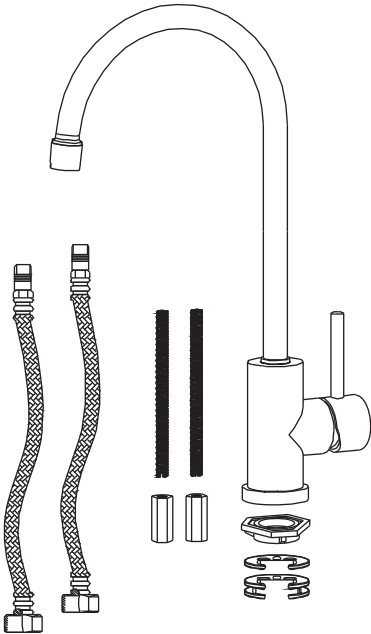
# Installation Instruction

## Single Handle Kitchen Faucet



### Before Your Installation

Check to make sure you have the following parts indicated below:



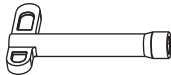
### Tools You Will Need



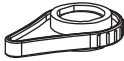
Adjustable wrench



Pipe tape  
(supplied)



Spanner for body  
(supplied)



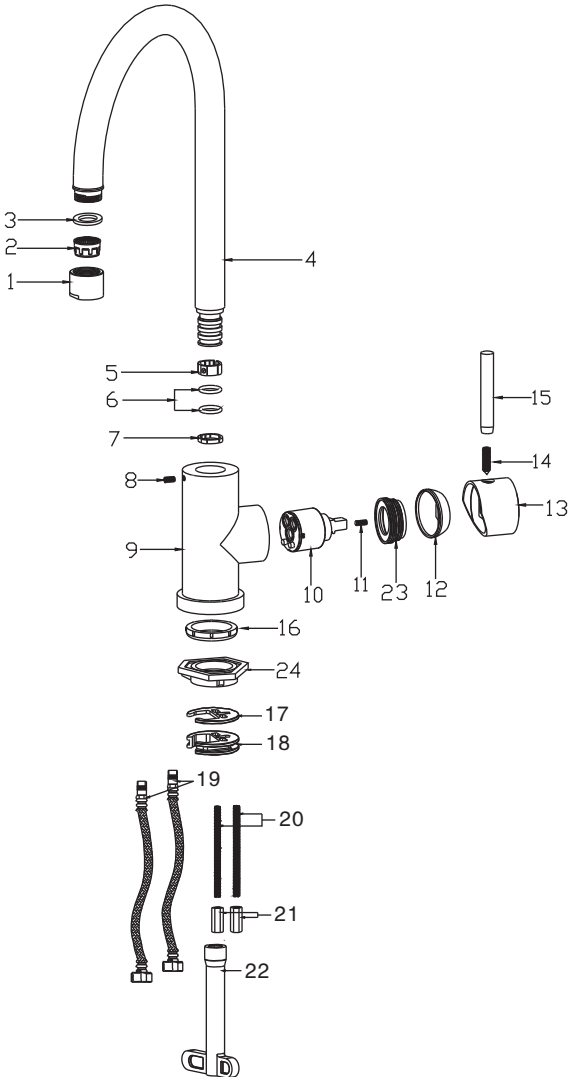
Spanner for aerator  
(supplied)



Phillips screwdriver

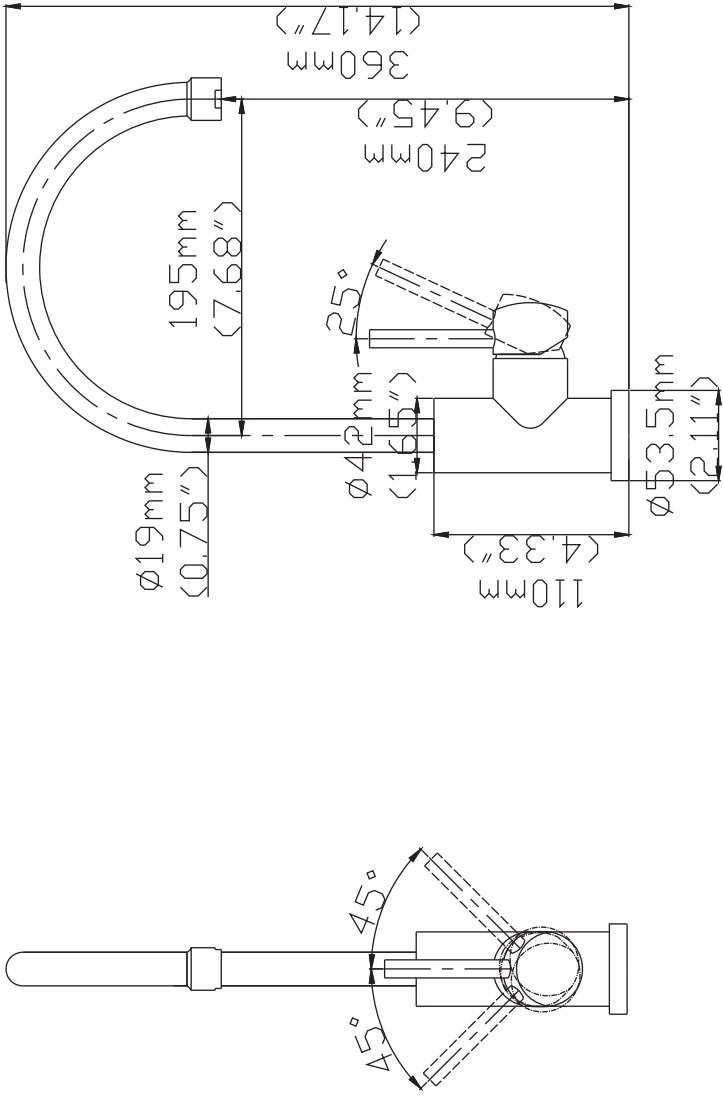
# Replacement Parts

Keep this manual for ordering replacement parts.



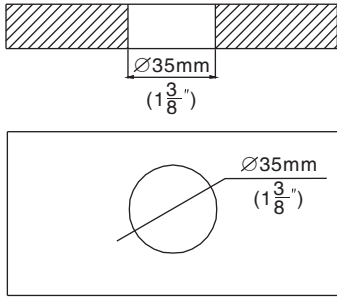
NO	NAME
1.	Aerator holder
2.	Aerator
3.	Gasket
4.	Spout
5.	Spout gasket
6.	O-ring
7.	Lock ring
8.	Screw
9.	Faucet body
10.	Cartridge
11.	Screw
12.	Cartridge holder
13.	Handle body
14.	Screw
15.	Knob
16.	Bottom plastic
17.	Rubber gasket
18.	Stainless steel gasket
19.	Hose
20.	Lock screw
21.	Lock nut
22.	Spanner
23.	Lock nut
24.	Strengthening part

# Product Dimension Drawing

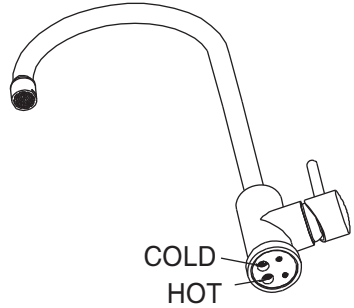


# Faucet Installation Procedures

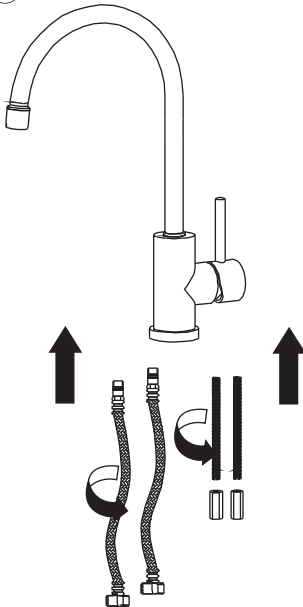
Step ①



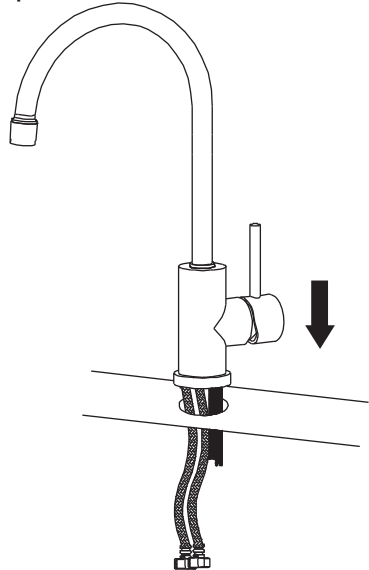
Step ②



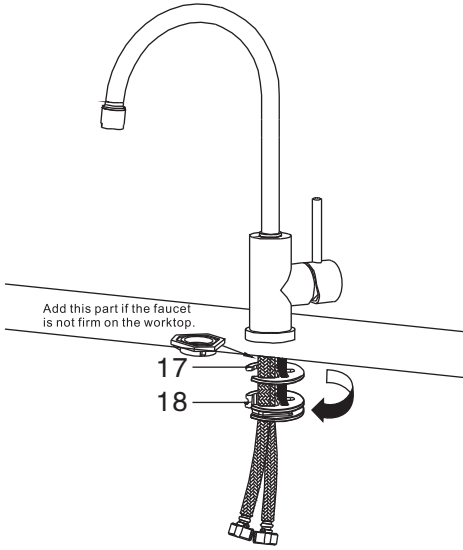
Step ③



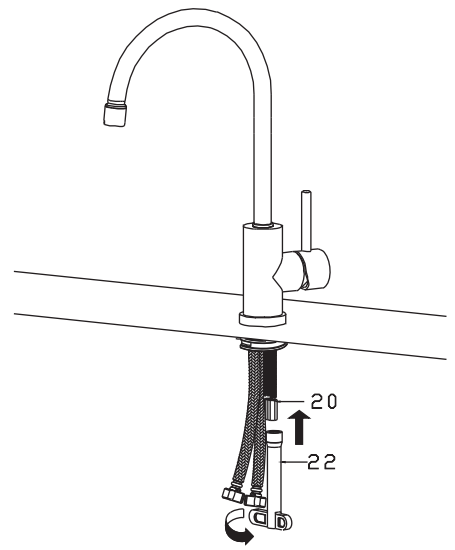
Step ④



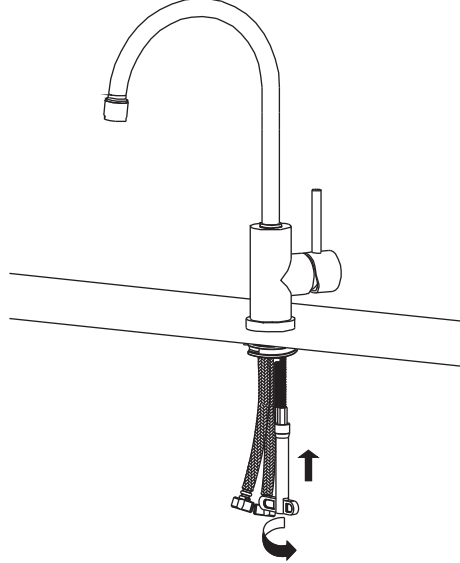
### Step ⑤



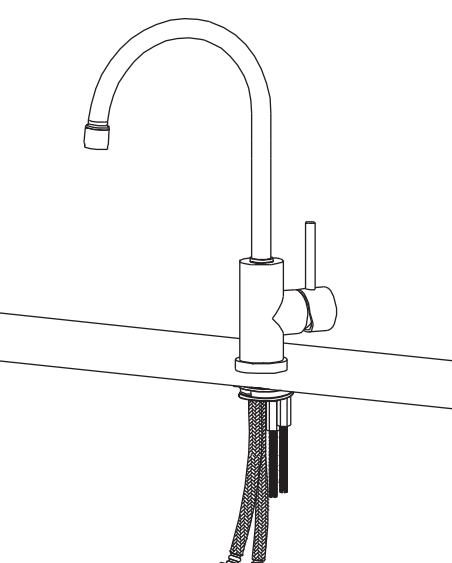
### Step ⑥



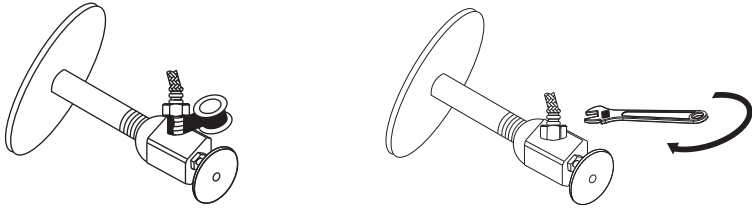
### Step ⑦



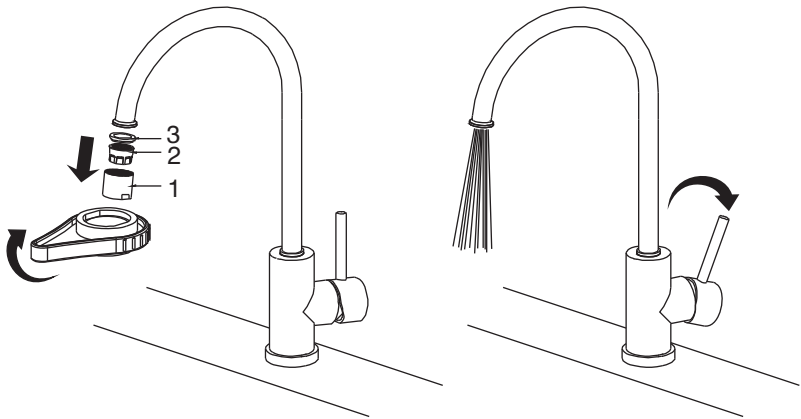
### Step ⑧



## Step 9



## Step 10



### Notice:

Please removing all of the sand, silt and other things from the water hose before assembling, to avoid blocking the faucet and effecting water rate. Please use the special tools to disassemble it and wash with pneumatic equipment, if the faucet blocked.